

# Evoline

## Intro

Evoline cabinets are suitable for offices, equipment rooms as server housing and infrastructural cabling installations.



### GENERAL CHARACTERISTICS

- 4 mm thickness of glass, full-length smoked, shatterproof, tempered, secure
- Depth adjustable 19" mounting uprights even when the cabinet is fully loaded
- 1000 kg load carrying capacity
- Easy assembling flat pack option provides ease and 50% reduced volume for transportation
- Single handedly assembled in less than 20 minutes with basic standard tools
- 3 sides lockable & removable steel sheet panels
- Safety glass front door; metal and perforated options are available
- Wide range of sizes from 16U to 47U
- Depth sizes: 600 mm, 800 mm and 1000 mm
- Standard colors:  
RAL 9005 Black & RAL 7035 Light Grey



## Flexible and Cost-effective

Evoline 19" rack cabinets are ergonomic, powerful, flexible and cost-effective.

- 6 times bended frame units for increased stability
- Optional Pagoda style top cover increases protection against dust and other overhead leakage. Additionally, this style simulates a chimney effect for a convectional passive air flow
- Levelling feet are included as default. Alternatively compatible with casters
- Front door features a full length, smoked and shatterproof safety glass door with left and right metal frames and integral locking mechanism. The door hinge is easily swapped from one side to the other to change the direction that the door opens (single door option)
- Rear panel lockable and removable. Solid metal and perforated door options are available. Door hinges are easily swapped from one side to the other to change the direction that the door opens. Brushed cable entry on the top and/or bottom of rear door is available as an accessory
- Side Panels are lockable & removable steel sheet panels to complete the flexibility and 4-way easy access (front, rear and side panels) of the entire cabinet
- Multiple brushed cable entries on top and the bottom of the cabinet



# Evoline

## PRODUCT REFERENCE

### W=600 MM CABINET DIMENSIONS (MM)

PRODUCT REFERENCE*	"U" HEIGHT	DEPTH OVERALL	DEPTH MAX MOUNTING PROFILE	HEIGHT VERTICAL MOUNTING PROFILE	HEIGHT WITHOUT LEVELLING FEET	HEIGHT WITH LEVELLING FEET MIN	HEIGHT WITH CASTERS
EVL16U6060...	16	600	460	750	816	841	896
EVL16U6080...	16	800	660	750	816	841	896
EVL20U6060...	20	600	460	919	994	1019	1074
EVL20U6080...	20	800	660	919	994	1019	1074
EVL22U6060...	22	600	460	1008	1083	1108	1163
EVL22U6080...	22	800	660	1008	1083	1108	1163
EVL26U6060...	26	600	460	1185	1260	1285	1340
EVL26U6080...	26	800	660	1185	1260	1285	1340
EVL26U6010...	26	1000	860	1185	1260	1285	1340
EVL32U6060...	32	600	460	1452	1527	1552	1607
EVL32U6080...	32	800	660	1452	1527	1552	1607
EVL32U6010...	32	1000	860	1452	1527	1552	1607
EVL36U6060...	36	600	460	1630	1705	1730	1785
EVL36U6080...	36	800	660	1630	1705	1730	1785
EVL36U6010...	36	1000	860	1630	1705	1730	1785
EVL39U6060...	39	600	460	1763	1838	1863	1918
EVL39U6080...	39	800	660	1763	1838	1863	1918
EVL39U6010...	39	1000	860	1763	1838	1863	1918
EVL42U6060...	42	600	460	1897	1972	1997	2052
EVL42U6080...	42	800	660	1897	1972	1997	2052
EVL42U6010...	42	1000	860	1897	1972	1997	2052
EVL45U6060...	45	600	460	1991	2065	2090	2145
EVL45U6080...	45	800	660	1991	2065	2090	2145
EVL45U6010...	45	1000	860	1991	2065	2090	2145
EVL47U6060...	47	600	460	2119	2194	2219	2274
EVL47U6080...	47	800	660	2119	2194	2219	2274
EVL47U6010...	47	1000	860	2119	2194	2219	2274

\* Pls complete the reference code referring the "Reference Code Creation" on next pages.

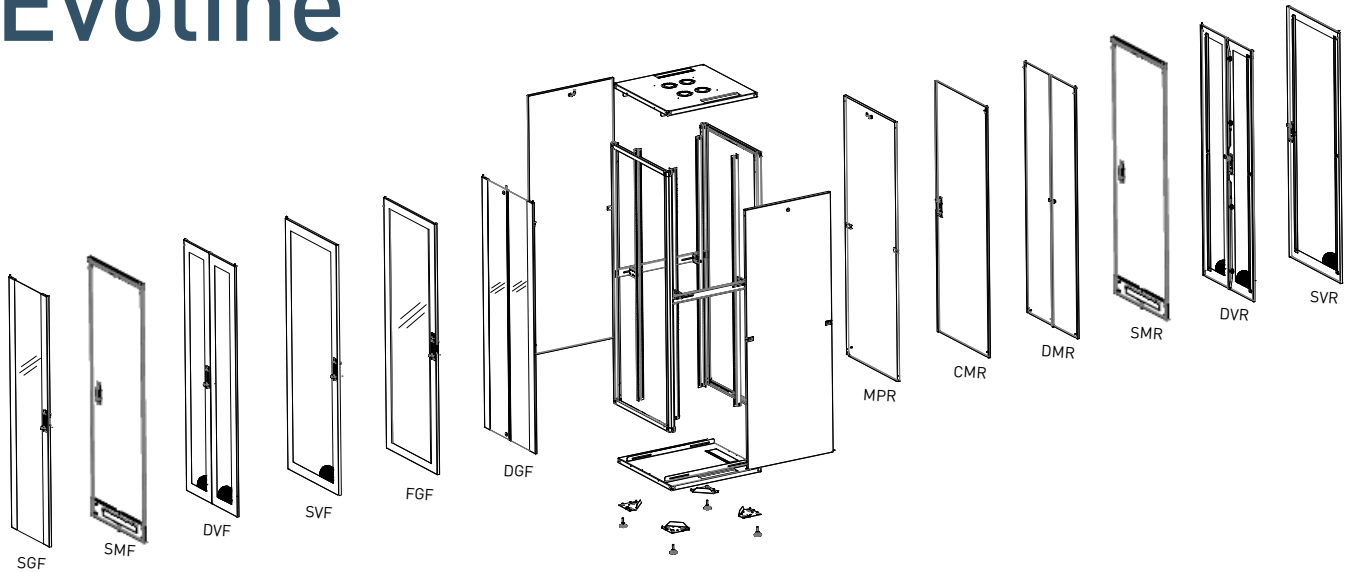
## PRODUCT REFERENCE

### W=800 MM CABINET DIMENSIONS (MM)

PRODUCT REFERENCE*	"U" HEIGHT	DEPTH OVERALL	DEPTH MAX MOUNTING PROFILE	HEIGHT VERTICAL MOUNTING PROFILE	HEIGHT WITHOUT LEVELLING FEET	HEIGHT WITH LEVELLING FEET MIN	HEIGHT WITH CASTERS
EVL16U8060...	16	600	460	750	816	841	896
EVL16U8080...	16	800	660	750	816	841	896
EVL20U8060...	20	600	460	919	994	1019	1074
EVL20U8080...	20	800	660	919	994	1019	1074
EVL22U8060...	22	600	460	1008	1083	1108	1163
EVL22U8080...	22	800	660	1008	1083	1108	1163
EVL26U8060...	26	600	460	1185	1260	1285	1340
EVL26U8080...	26	800	660	1185	1260	1285	1340
EVL32U8060...	32	600	460	1452	1527	1552	1607
EVL32U8080...	32	800	660	1452	1527	1552	1607
EVL32U8010...	32	1000	860	1452	1527	1552	1607
EVL36U8060...	36	600	460	1630	1705	1730	1785
EVL36U8080...	36	800	660	1630	1705	1730	1785
EVL36U8010...	36	1000	860	1630	1705	1730	1785
EVL39U8060...	39	600	460	1763	1838	1863	1918
EVL39U8080...	39	800	660	1763	1838	1863	1918
EVL39U8010...	39	1000	860	1763	1838	1863	1918
EVL42U8060...	42	600	460	1897	1972	1997	2052
EVL42U8080...	42	800	660	1897	1972	1997	2052
EVL42U8010...	42	1000	860	1897	1972	1997	2052
EVL45U8060...	45	600	460	1991	2065	2090	2145
EVL45U8080...	45	800	660	1991	2065	2090	2145
EVL45U8010...	45	1000	860	1991	2065	2090	2145
EVL47U8060...	47	600	460	2119	2194	2219	2274
EVL47U8080...	47	800	660	2119	2194	2219	2274
EVL47U8010...	47	1000	860	2119	2194	2219	2274

\* Pls complete the reference code referring the "Reference Code Creation" on next pages.

# Evoline

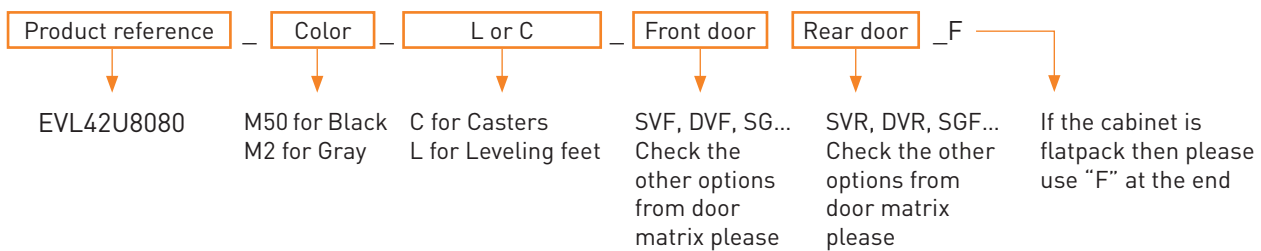


## DOOR SELECTION TABLE AND REFERENCE CODE CREATION

DOOR CODE	DESCRIPTION	EVL W= 600 MM	EVL W= 800 MM
<b>FRONT</b>			
<b>SGF</b>	Single Glass Front Door, single point locking	Standard	
<b>DGF</b>	Double Glass Front Door, two point barrel locking		Standard
<b>FGF</b>	Single, Full Frame Glass Front Door, single point locking	Optional	Optional
<b>SVF</b>	Single Vented Front Door, 63% perforated, single point locking	Optional	Optional
<b>DVF</b>	Double Vented Front Door, 63% perforated, three point locking	Optional	Optional
<b>SMF</b>	Solid Metal Front Door	Optional	Optional
<b>REAR</b>			
<b>MPR</b>	Solid Metal Panel Rear	Standard	Standard
<b>CMR</b>	Single Solid Metal Rear Door	Optional	Optional
<b>DMR</b>	Double Solid Metal Rear Door with cable entries on top and bottom		Optional
<b>SVR</b>	Single Vented Rear Door, 63% perforated, single point locking	Optional	Optional
<b>DVR</b>	Double Vented Rear Door, 63% perforated, three point locking		Optional
<b>SMR</b>	Solid Metal Rear Door(s) with cable entries on top & bottom	Optional	Optional

## REFERENCE CODE CREATION

Marked are also Default Config.

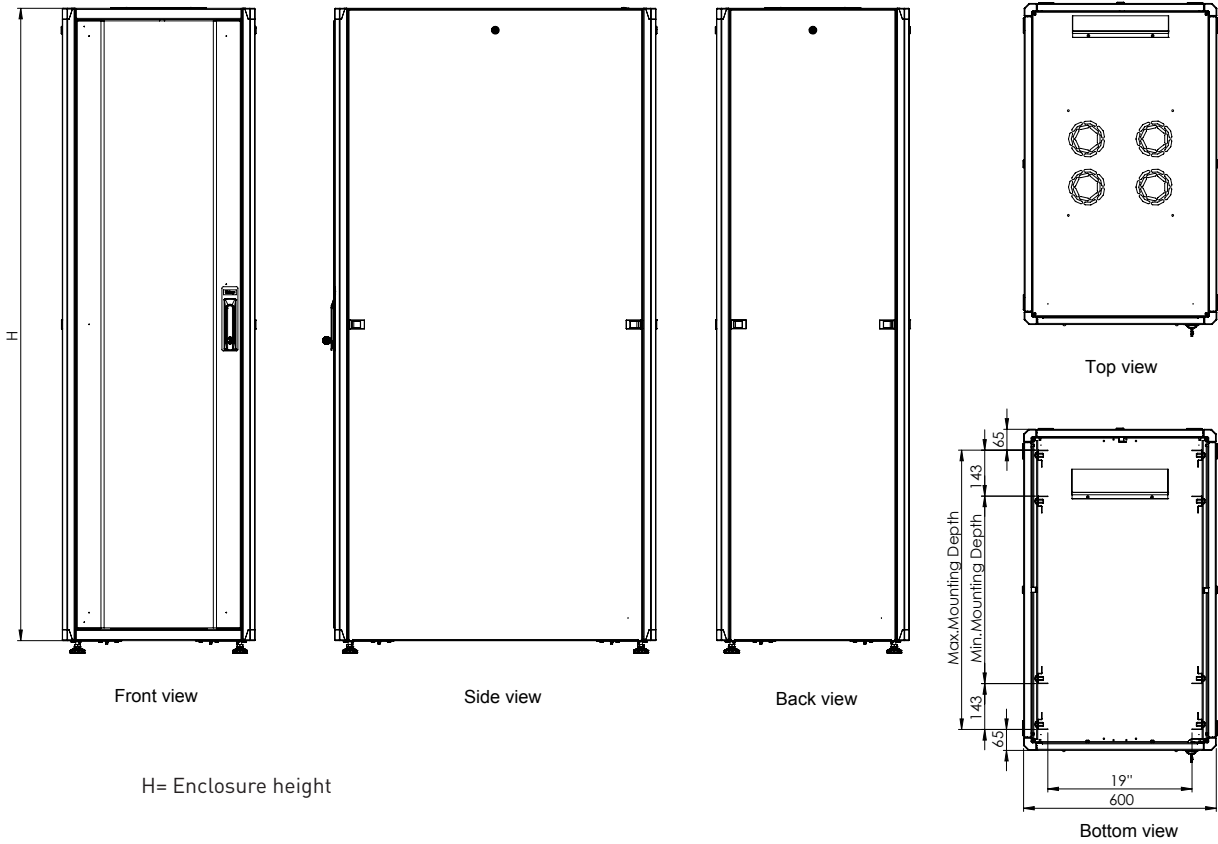


Example:

EVL42U8080\_M50\_L\_SVFDVR → for a mounted cabinet

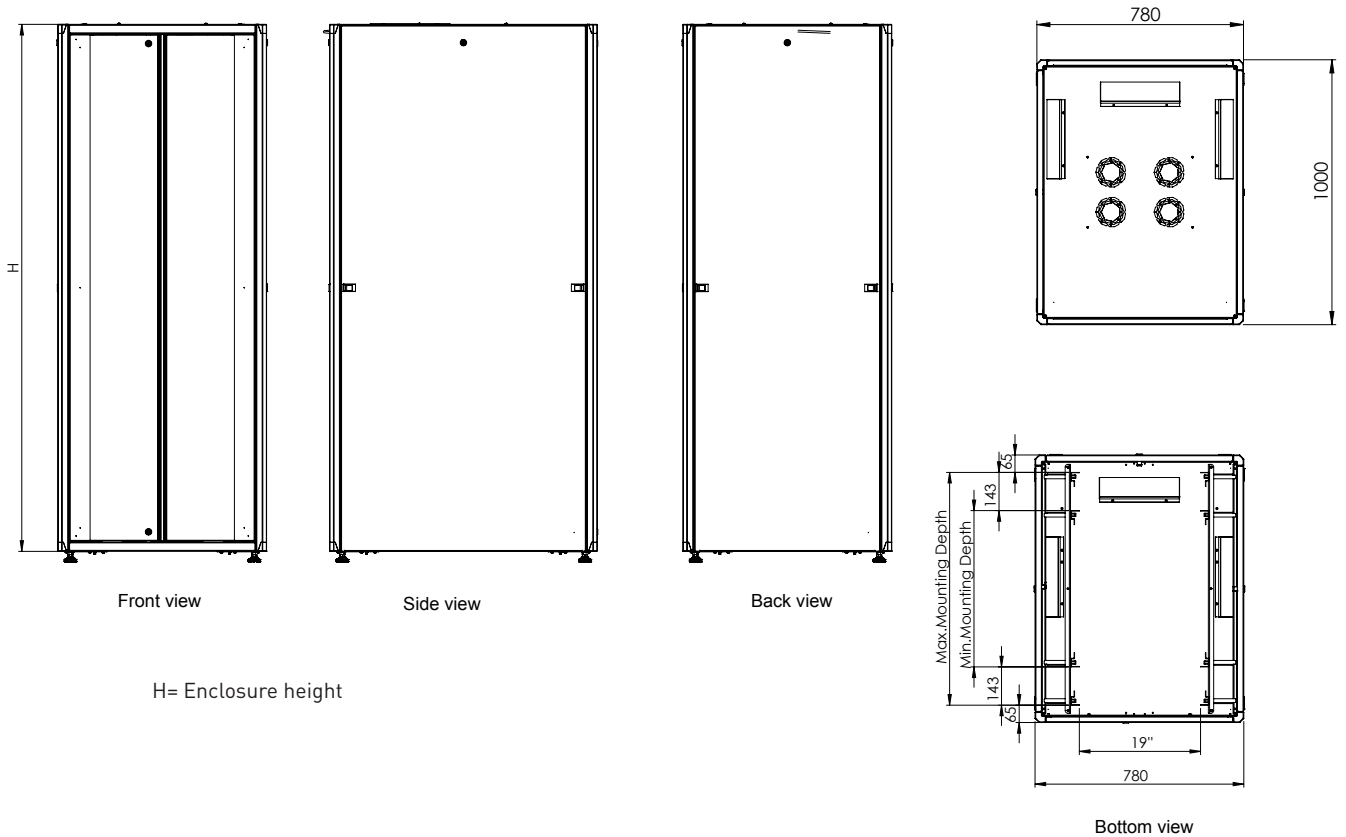
EVL42U8080\_M50\_L\_SVFDVR\_F → for a flatpack cabinet

## TECHNICAL DRAWINGS W=600 mm CABINETS



H= Enclosure height

## W=800 mm CABINETS



H= Enclosure height

## 19" FREE-STANDING RACK CABINETS



### FLOOR FIXING KIT

Perfect design! No extension beyond the bottom area of the cabinet 4-points fixing between the cabinet and the floor - front/rear, right/left. Galvanised sheet metal.

### FAN MODULE

2 or 4 pcs. of fan on a module, with ON/OFF, analog or digital thermostat functions. Complete inner wiring. 1U

### CASTER AND LEVELLING FEET

Rotational type casters, 2 pieces front have lockable function  
Levelling feet: Height adjustment from the floor 250 kg. load carrying capacity of each wheel and each levelling feet.

### LED LIGHT

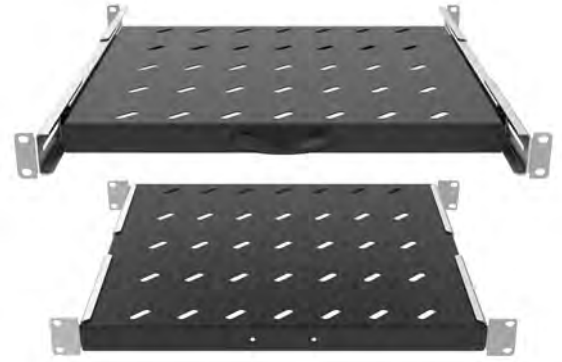
Effective and powerful lighting.  
Different dimensions 19", 1U, with ON/OFF switch, automatic door with ON/OFF switch or LED with sensor.

### GROUNDING CONTINUITY

Grounding cables for all metal components. Cable connections with bolts and nuts for all doors.



## Evoline Accessories



### CABLE TRAY

Options from 16U to 47U. The galvanized coating must be perforated to provide length and cable installation along the height of the cabinet.

Unified cable tray for every cabinet range.

### FIXED AND SLIDING SHELF

Fixing points at the sides of rear and front 19" uprights.

Vented for air circulation, adjustable depth, sheet steel material. Available for all kind of cabinet depths like 600mm, 800mm and 1000mm.

### BRUSHED CABLE ENTRY \*

2 pieces of 50x300 mm cable entries on the top and bottom chassis, 1 piece of 80x300 mm for the bottom chassis.

### VERTICAL CABLE ORGANIZER

Options from 16U to 47U.

Large internal volume that protects all kind of electric and data cables and patch cords.

It attaches to the sides along 19" uprights and have cable entry holes.

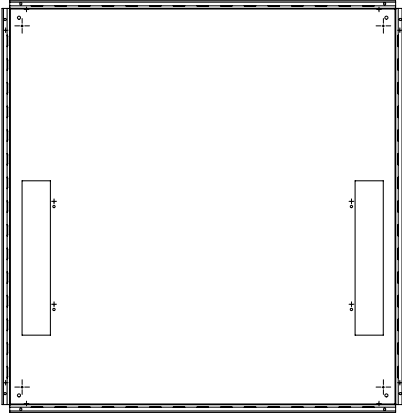


\* The image is for the width of 800 mm cabinet



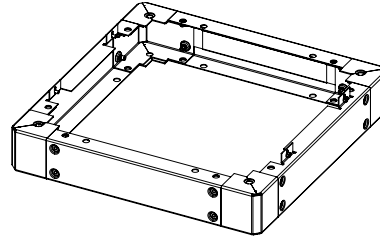
## Evoline Accessories

### TOP COVER

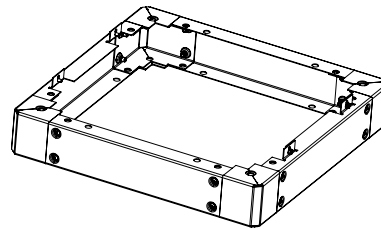


PRODUCT REFERENCE	DESCRIPTION
EVL794M66L00M50	Top cover , Width=600 mm / depth=600 mm
EVL794M68L00M50	Top cover , Width=600 mm / depth=800 mm
EVL794M61L00M50	Top cover , Width=600 mm / depth=1000 mm
EVL794M86L00M50	Top cover , Width=780 mm / depth=600 mm
EVL794M88L00M50	Top cover , Width=780 mm / depth=800 mm
EVL794M81L00M50	Top cover , Width=780 mm / depth=1000 mm

### PLINTH



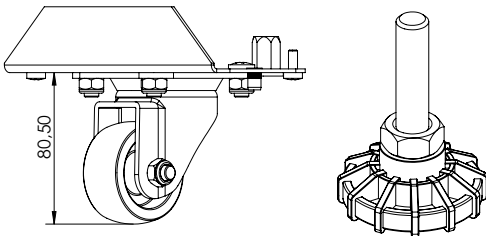
WITH CABLE ENTRY



WITHOUT CABLE ENTRY

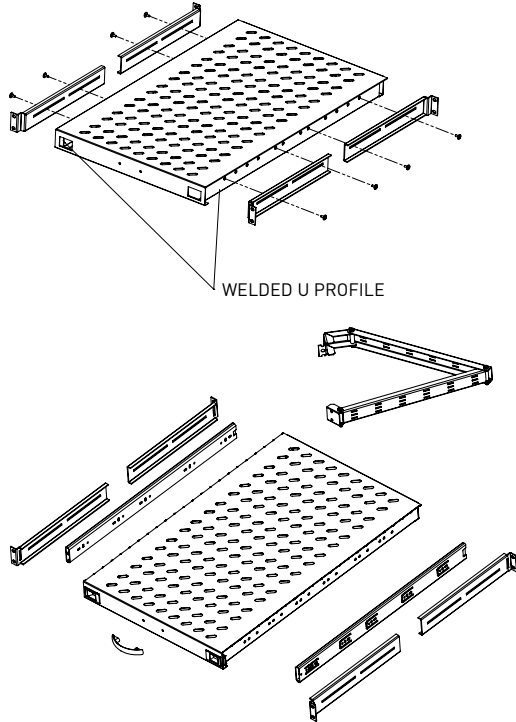
WITH CABLE ENTRY STOCK NO	A (mm)	B (mm)	C (mm)	D (mm)	E (mm)
EVL795M66L00M50	600	600	100	506.40	506.40
EVL795M68L00M50	600	800	100	506.40	706.40
EVL795M61L00M50	600	1000	100	506.40	906.40
EVL795M86L00M50	780	600	100	686.40	506.40
EVL795M88L00M50	780	800	100	686.40	706.40
EVL795M81L00M50	780	1000	100	686.40	906.40
WITHOUT CABLE ENTRY STOCK NO					
EVL795M66L01M50	600	600	100	506.40	506.40
EVL795M68L01M50	600	800	100	506.40	706.40
EVL795M61L01M50	600	1000	100	506.40	906.40
EVL795M86L01M50	780	600	100	686.40	506.40
EVL795M88L01M50	780	800	100	686.40	706.40
EVL795M81L01M50	780	1000	100	686.40	906.40

### CASTER AND LEVELLING FEET



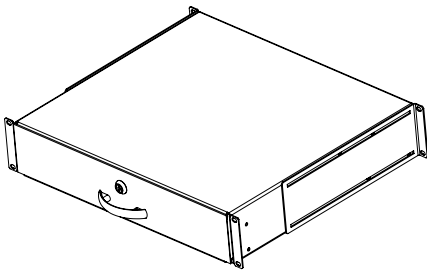
PRODUCT REFERENCE	DESCRIPTION
CST	Castors, 2 pcs. front are lockable
M11PNY02	Levelling feet (1 set = 4 pcs.)

## HEAVY DUTY TYPE SHELF



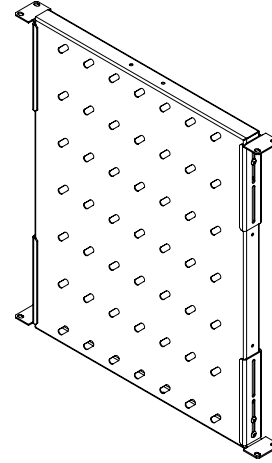
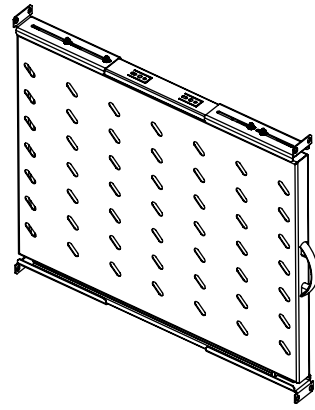
PRODUCT REFERENCE	DESCRIPTION	HxWxD (mm)
M55SR720_01M50	19", heavy duty fixed shelf, adjustable in depth	50x483x720
M55HR720_01M50	19", heavy duty sliding shelf, adjustable in depth, vented, complete with rear cable management system	50x483x720

## 19" KEYBOARD DRAWER



PRODUCT REFERENCE	DESCRIPTION	DIMENSIONS WxHxD (mm)
M44CEK2U_01M50	2U 19" drawer, lockable suitable up to depth=800mm. Cabinets, for D=1000 mm cabinet usage extra brackets available in package, sheet steel material and load carrying capacity is 25 kg.	483x88x400
M44CEK3U_01M50	3U 19" drawer, lockable suitable up to depth=800mm. Cabinets, for D=1000 mm cabinet usage extra brackets available in package, sheet steel material and load carrying capacity is 25 kg.	483x133x400

## FIXED AND SLIDING SHELVES

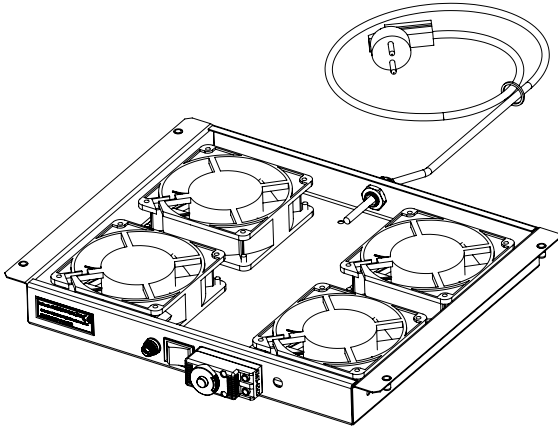


PRODUCT REFERENCE	DESCRIPTION
SHLFIX60M50	D= 600 mm fixed shelf module with slots, load capacity 50 kg., Ral9005, depth of the shelf D= 372 mm, 4-points fixed. Only suitable for 600 mm depth cabinets.
SHLFIX80M50	D= 800 mm fixed shelf module with slots, load capacity 50 kg., Ral9005, depth of the shelf D= 530 mm, 4-points fixed. Only suitable for 800 mm depth cabinets.
SHLFIX100M50	D= 1000 mm fixed shelf module with slots, load capacity 50 kg., Ral9005, depth of the shelf D= 696 mm, 4-points fixed. Only suitable for 1000 mm depth cabinets.
SHLSLD60M50	D= 600 mm sliding shelf module with slots, load capacity 30 kg., Ral9005, depth of the shelf D= 372 mm, 4-points fixed. Only suitable for 600 mm depth cabinets.
SHLSLD80M50	D= 800 mm sliding shelf module with slots, load capacity 30 kg., Ral9005, depth of the shelf D= 530 mm, 4-points fixed. Only suitable for 800 mm depth cabinets.
SHLSLD100M50	D= 1000 mm sliding shelf module with slots, load capacity 30 kg., Ral9005, depth of the shelf D= 696 mm, 4-points fixed. Only suitable for 1000 mm depth cabinets.

Note: Color code "M50" is RAL 9005 black, "M2" RAL 7035 light grey option is available

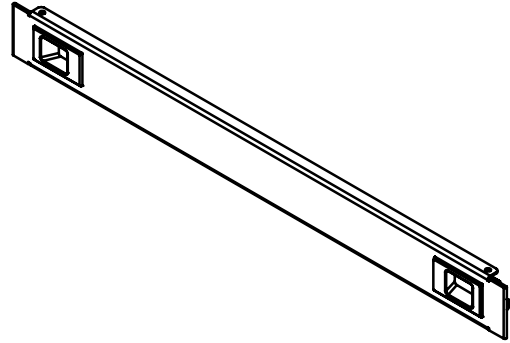
## EvoLine Accessories

### FAN MODULE



PRODUCT REFERENCE	DESCRIPTION
FAN4AT4F01_M50	Fan module, 4 fan + analog thermostat, 2P+E plug, schuko std.
FAN4AT2F01_M50	Fan module, 2 fan + analog thermostat, 2P+E plug, schuko std.
FAN4AT4F02_M50	Fan module, 4 fan + analog thermostat, 2P+E plug, UK std.
FAN4AT2F02_M50	Fan module, 2 fan + analog thermostat, 2P+E plug, UK std.
FAN4DT4F01_M50	Fan module, 4 fan + digital thermostat, 2P+E plug, schuko std.
FAN6DT6F01_M50	Fan module for 1000 depth cabinets, 6 fan + digital thermostat, 2P+E plug, schuko std., 6 pre-cut hole
FAN6DT6F02_M50	Fan module for 1000 depth cabinets, 6 fan + digital thermostat, 2P+E plug, UK std., 6 pre-cut hole
FAN6OO6F01_M50	Fan module for 1000 depth cabinets, 6 fan + On/Off, 2P+E plug, schuko std., 6 pre-cut hole
FAN6OO6F02_M50	Fan module for 1000 depth cabinets, 6 fan + On/Off, 2P+E plug, UK std., 6 pre-cut hole
FAN6AT6F01_M50	Fan module for 1000 depth cabinets, 6 fan + analog thermostat, 2P+E plug, schuko std., 6 pre-cut hole
FAN6AT6F02_M50	Fan module for 1000 depth cabinets, 6 fan + analog thermostat, 2P+E plug, UK std., 6 pre-cut hole

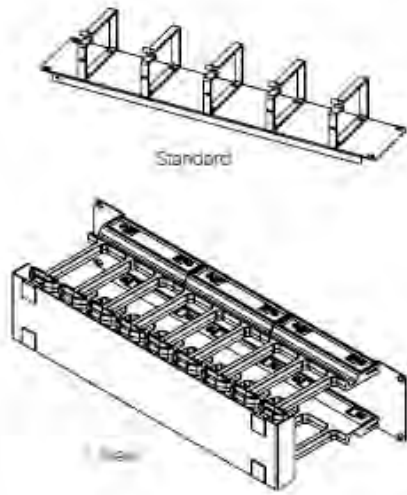
### BLANK PANELS



PRODUCT REFERENCE	DESCRIPTION	DIMENSIONS WxHxD (mm)
E44BPN01_0150M	1U 19" Blank panel	483x44x12
E44BPN02_0150M	2U 19" Blank panel	483x88x12
E44BPN03_0150M	3U 19" Blank panel	483x133x12
E44BPN04_0150M	4U 19" Blank panel	483x177x12
E44BPN05_0150M	5U 19" Blank panel	483x222x12
E44BPN06_0150M	6U 19" Blank panel	483x266x12
P44BPN06_01M50	6U 19" Modular plastic blank panel (ABS)	483x266x12

Note: Color code "M50" is RAL 9005 black, "M2" RAL 7035 light grey option is available

## HORIZONTAL CABLE MANAGER



PRODUCT REFERENCE	DESCRIPTION	DIMENSIONS WxHxD (mm)
E440RG1U_01M50	1U 19" cable management panels with 5 metal rings	483x44x80
E440RG1UPLST_01M50	1U 19" cable management panels with 4 plastic rings	483x44x80
E440RG1UN_01M50	1U 19" cable management panel, channel type and with removable cover	483x44x71
E440RG2F_01M50	1U 19" cable management panels with front patch cord access holes, L shaped, rear tray for cable support	483x44x124
E440RG2F_01M50BN	1U 19" cable management panels with front patch cord access holes, basic blank panel shaped	483x44x10
E440RG2U_01M50	2U 19" cable management panels with 5 rings	483x88x76
E440RG1F_01M50	1/2U 19" cable management panels with front patch cord access holes	483x22x100
E440RG2UFT_01M50	2U 19", Cable Management Panels with 5 Metal Rings - Finger Type	483x88x166

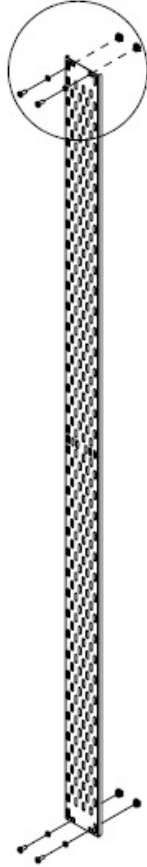
## VERTICAL CABLE MANAGER



PRODUCT REFERENCE	DESCRIPTION
M440RG16_03M50	16U Vertical Cable Organizer
M440RG20_03M50	20U Vertical Cable Organizer
M440RG22_03M50	22U Vertical Cable Organizer
M440RG26_03M50	26U Vertical Cable Organizer
M440RG32_03M50	32U Vertical Cable Organizer
M440RG36_03M50	36U Vertical Cable Organizer
M440RG42_03M50	42U Vertical Cable Organizer
M440RG45_03M50	45U Vertical Cable Organizer
M440RG47_03M50	47U Vertical Cable Organizer

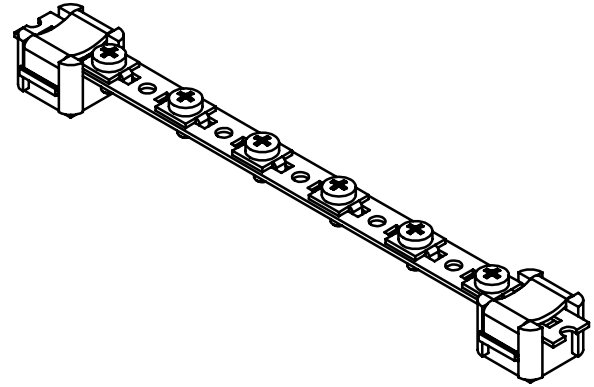
## Evoline Accessories

### CABLE TRAY



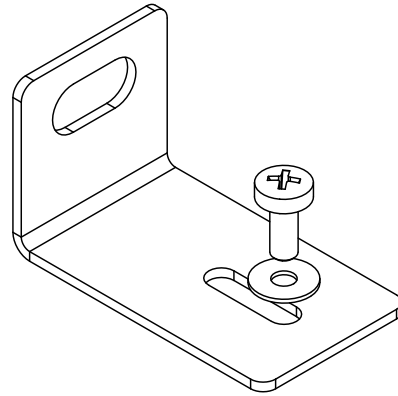
PRODUCT REFERENCE	DESCRIPTION
CT1210	Cable Tray, 12U, w= 100 mm
CT1610	Cable Tray, 16U, w= 100 mm
CT2010	Cable Tray, 20U, w= 100 mm
CT2210	Cable Tray, 22U, w= 100 mm
CT2610	Cable Tray, 26U, w= 100 mm
CT3210	Cable Tray, 32U, w= 100 mm
CT3610	Cable Tray, 36U, w= 100 mm
CT3910	Cable Tray, 39U, w= 100 mm
CT4210	Cable Tray, 42U, w= 100 mm
CT4510	Cable Tray, 45U, w= 100 mm
CT4710	Cable Tray, 47U, w= 100 mm

### GROUNDING KIT



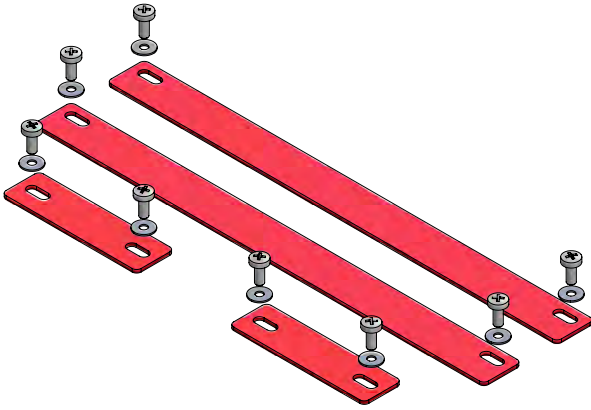
PRODUCT REFERENCE	DESCRIPTION
M44PEB01	Grounding kit, 6 each earthing leads + copper busbar
M44PEB19_01	Grounding kit, 13 each earthing leads + copper busbar

### FLOOR FIXING KIT



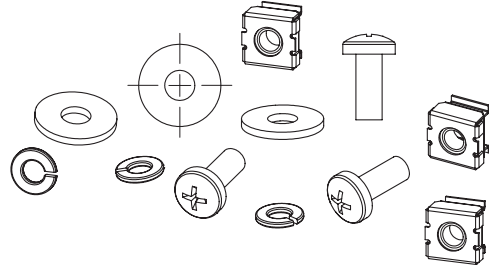
PRODUCT REFERENCE	DESCRIPTION
EVL792M02L00	Floor Fixing kit

## BAYING KIT



PRODUCT REFERENCE	DESCRIPTION
EVL792M01L00M50	Baying kit

## FIXINGS



PRODUCT REFERENCE	DESCRIPTION
KFS6X15_20	M6 caged nut, screw, washer (1set=20ea)
KFS6X15_50	M6 caged nut, screw, washer (1set=50ea)

## LED LIGHT

PRODUCT REFERENCE	DESCRIPTION	HxWxD (mm)
MAYDNLED-IRM	LED LIGHT	10X300X30

# Evoline

## TECHNICAL CHARACTERICS

### INDEX OF PROTECTION

- IP20 according to EN61587-1, IEC60529  
IP20: Protected against solid objects larger than 12,5 mm in diameter

### MECHANICAL PERFORMANCE

- Load carrying capacity: 1000 kg.

### DESIGN

- 1) Frame Units are 6 times bended and tightly fixed into top and bottom chassis
- 2) Mounting uprights, top and bottom base units are 1.5 mm thick sheet steel
- 3) Top and bottom chassis units construction are completely modular structures
- 4) Side panels made of 1,0 mm thick sheet steel
- 5) Front door, shatterproof glass with left and right frame
- 6) 115° front door opening angle

### CORROSION RESISTANCE

- ISO 9227 and ASTM B 117-85, IEC60917 and IEC60297

### SURFACE COATING

- 1) Electrostatic powder coated with surface treatment; 60-120 micron paint thickness
- 2) Comply with ISO 9001, ISO 2178, ISO 2813, ISO 6272, ISO 8130-5, ISO 8130-3, RoHS standards.

## PURCHASED PRODUCT CERTIFICATION

### SHEET STEEL

EN 10346: 20015 DX51D+Z, EN 10130: 2006 DC01

### ELECTROSTATIC POWDER COATING

ISO6860, ISO2409, ISO1520, ISO2815, ISO6272, ISO7253, ISO6270-1, ISO2812

ISO 9001, RoHS

### GLASS

TS EN 12150-1, TS EN 1863-1

### LOCK

IEC 62474, REACH, RoHS

### CASTORS

ISO 9001, TS EN 12532, RoHS

### FAN

IEC 60335-2-80:2002, IEC 60335-1:2010

## TESTS AND COMPLIED STANDARDS

### TESTS AND COMPLIED STANDARDS

- 1) ISO 9001:2015 Quality Management System
- 2) ISO 14001:2015 Environmental Management System
- 3) ISO 27001:2013 Information Security Management System
- 4) ISO 45001:2018 Occupational Health and Safety Management System
- 5) 19" device mounting uprights IEC 297-1
- 6) EN 61587-1 Mechanical structures for electronic equipment.
- 7) All cabinet sizes complies with IEC 297-2.

**RESISTANCE TO ENVIRONMENTAL CONDITIONS AND CORROSION;  
STABILITY, MECHANICAL SAFETY, RESISTANCE TO STATIC,  
DYNAMIC AND MECHANICAL LOADS;**

**RESISTANCE TO VIBRATION, MECHANICAL SHOCK AND IMPACT;  
DEGREES OF MECHANICAL PROTECTION PROVIDED BY THE  
ENCLOSURE (IP20);**

**ELECTRICAL GROUNDING CONTINUITY;**

**FIRE AND FLAME RESISTANCE;**

Have been tested according to the standard " EN 61587-1" with the normative standards: IEC 60917, IEC 60297, IEC 60068-1, IEC 60068-2, IEC 60695-11-10, IEC 60950-1, contained and certified by the notified organizations::

### TSE CERTIFICATE NO

003788-TSE-08/02

### EAC CERTIFICATE NO

0443637, 0776963, 0345864, 0401678, 0776653

### CORROSION

ISO 9227 Standard complied by the test report METALTEK AB-0547-T / 0157-1

### TRANSPORT

ETS 300 019-1-2 Class 2.3 Comply with internal testing

### STORAGE

ETS 300 019-1-1 Class 1.2 Comply with internal testing

### SURFACE FINISH

Electrostatic powder coated c/with surface treatment , 80 +/- 5 micron paint thickness



